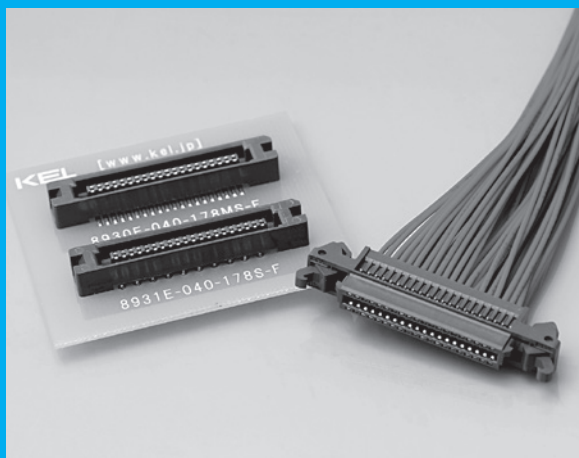


# 8929E SERIES

## 1.27mm PITCH CONNECTOR FOR DISCRETE CABLE/ CRIMP TYPE

RoHS  
Compliant



### FEATURES

- ▶ Highly reliable contact design with independent and synchronized spring.
- ▶ Low insertion and withdrawal force.
- ▶ Insulator protects contacts from damage.
- ▶ Connectors with the Eject-Lock mechanism, allowing one-handed insertion and release.
- ▶ PCB side connector 8930E/8931E series can be mated with 8900 board to board connector series as mating combination.
- ▶ For discrete cable. (#26 AWG, #28 AWG and #30 AWG)

### ORDER CODE

**8929E** -

①

②

\*Please order in multiples of the quantity per package.

① **[Type]** **8929E**: Receptacle(Cable side connector)

② **[Number of contacts]** **030**: 30 pin **040**: 40 pin **050**: 50 pin **060**: 60 pin **068**: 68 pin

\*Above order code 8929E-□□□ is for the housing only, contact terminals are sold separately. About #569 order code, Please refer next page.

### ORDER CODE

**893**   **E** -    **-178**   **-F**

①

②

③

④

⑤

\*Please order in multiples of the quantity per package.

① **[Type]** Plug(PCB side connector) **8930E**: Without hooks, SMT **8931E**: With hooks, Through hole

② **[Number of contacts]** **030**: 30pin **040**: 40pin **050**: 50pin **060**: 60pin **068**: 68pin

③ **[Contact name]** **178**

④ **[Contact tail style]** **S**: Straight, Through hole **L**: Right angle, Through hole **MS**: Straight, SMT (8930E)

⑤ **[RoHS]** **F**: RoHS Compliant

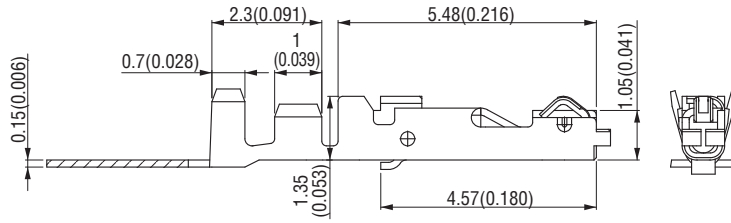
### SPECIFICATIONS

| Material and plating    |  | Electrical Characteristics      |  |
|-------------------------|--|---------------------------------|--|
| Insulator material      | [8929E]<br>Glass-filled Nylon 66 (UL 94V-0), Brown   | Current rating                  | 1A per contact   |
|                         | [8930E/8931E]<br>Glass-filled PPS (UL 94V-0), Brown  | Contact resistance              | 50mΩ max.  |
| Contact material        | Copper alloy   | Dielectric withstanding voltage | [8929E] 300V AC for 1 minute   |
| Contact plating         | [8929E] (Contact area) Gold over Nickel<br>(Crimping area) Tin over Nickel<br>[893□E] Gold over Nickel |                                 | [893□E] 650V AC for 1 minute   |
| Lock material           | Glass-filled Nylon 66 (UL 94V-0), Brown  | Insulation resistance           | [8929E] 1000MΩ min. at 250V DC<br>[893□E] 1000MΩ min. at 500V DC           |
| Retention clip material | Copper alloy   | Operating temperature           | -40°C to +85°C   |
| Retention clip plating  | Tin copper over Nickel   | Recommended cable               | #26/28/30 AWG Discrete wire cable<br>(insulation Dia. : φ1mm(0.039") max.) |

## Contact Terminal

Unit : mm(inch)

◆ Contact terminal for 8929E-□□□ receptacle (Cable side connector)



Packaging style

Tape & Reel

### ▶ Product Table

| Part Number | Number of packaging |
|-------------|---------------------|
| #569        | 20,000              |

ORDER CODE

**#569**

①

\*Please order in multiples of the quantity per package.

① **[Contact name]**  
#569 : Crimping type contact for 8929E

## Assembly Tool

### ▶ Hand Tool

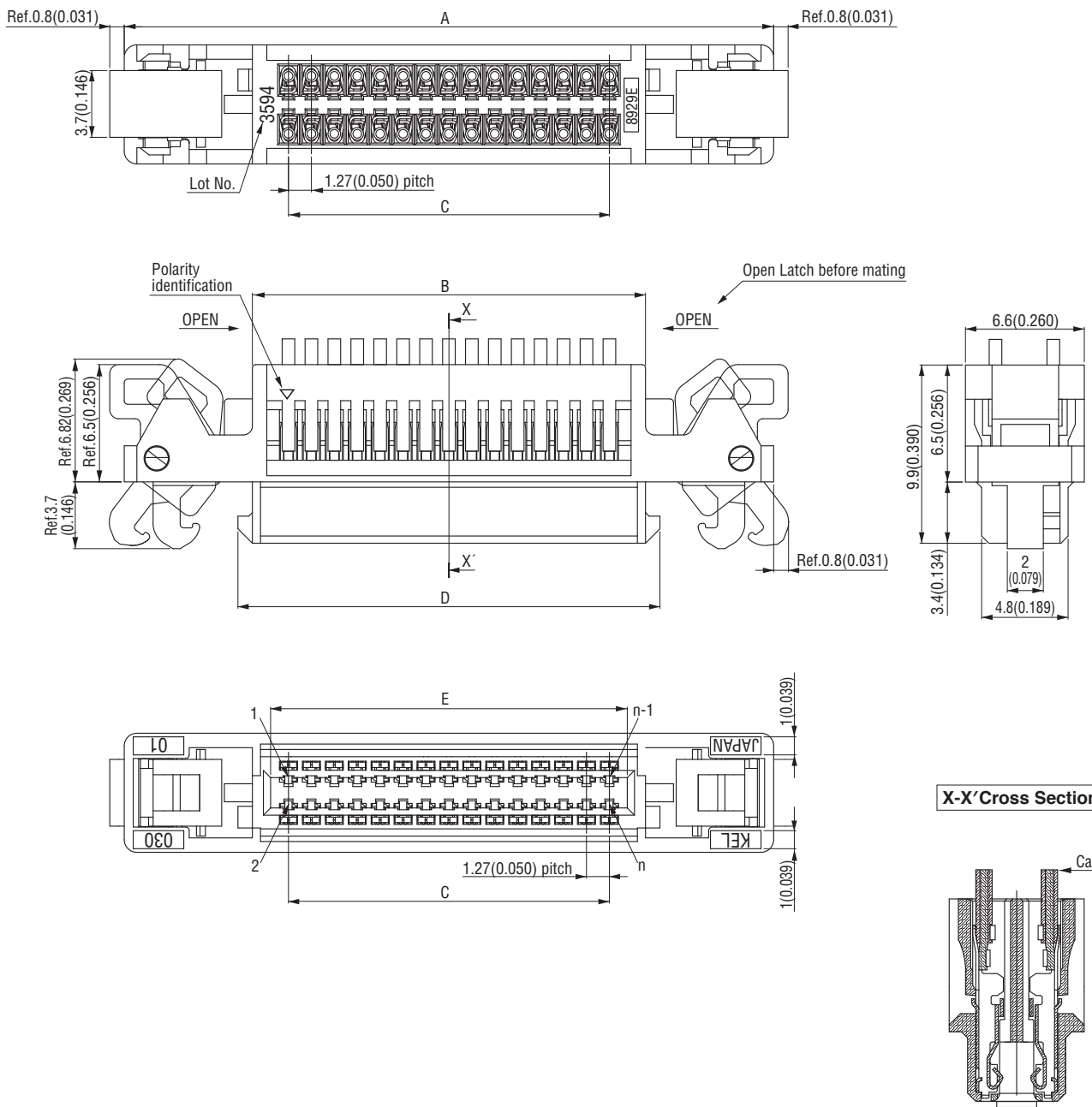
|                |                           |
|----------------|---------------------------|
| Part Number    | CH-03                     |
| Mating Cable   | #26 AWG, #28 AWG, #30 AWG |
| Mating Contact | #569                      |

\*Insulation Dia. :  $\phi$ 1mm max.

### ▶ Crimping Machine

|                  |                                  |
|------------------|----------------------------------|
| Mating Contact   | #569                             |
| Manufacturer     | JAPAN AUTOMATIC MACHINE CO., LTD |
| Crimping Machine | LPC220S                          |
| Applicator       | DFS790800                        |

A crimping machine and applicator are available for purchase from Japan Automatic Machine Co., Ltd.



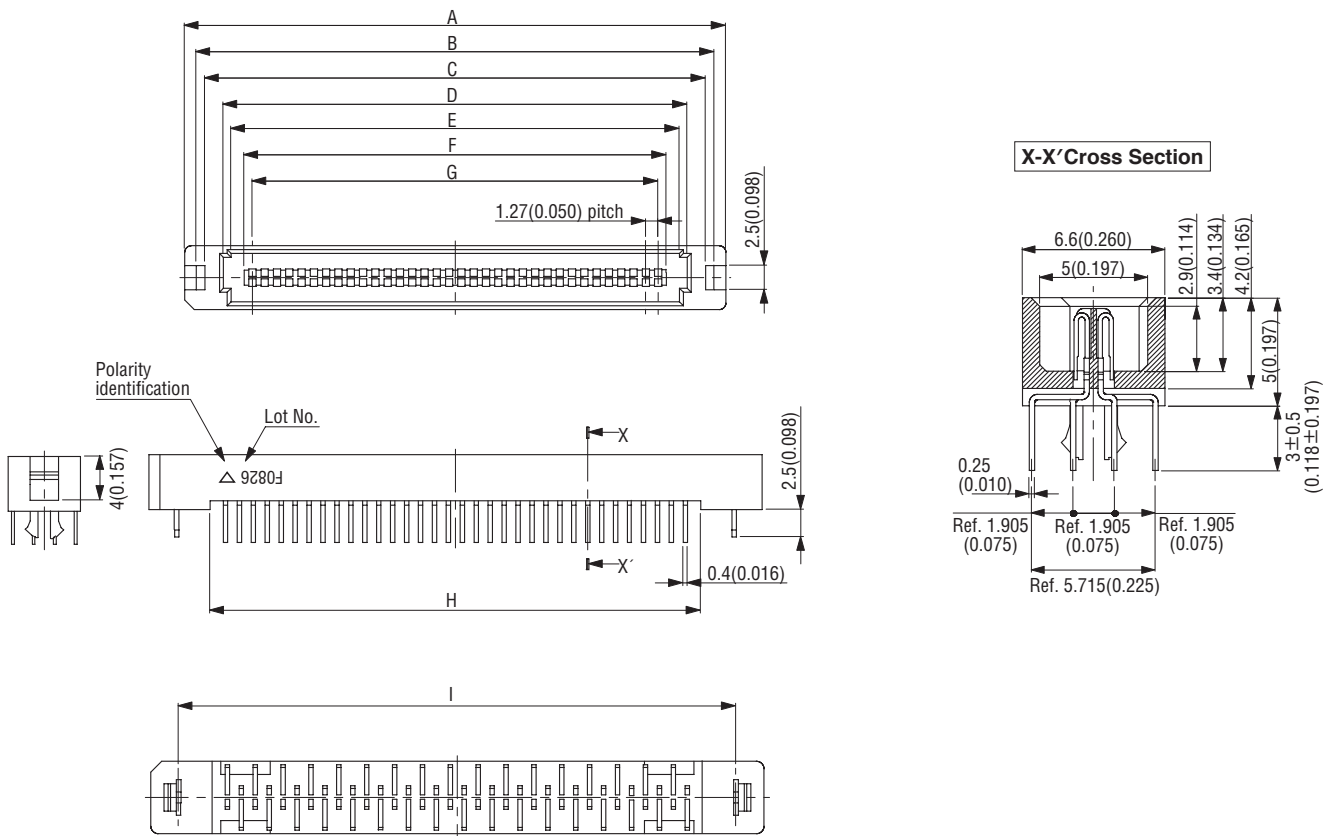
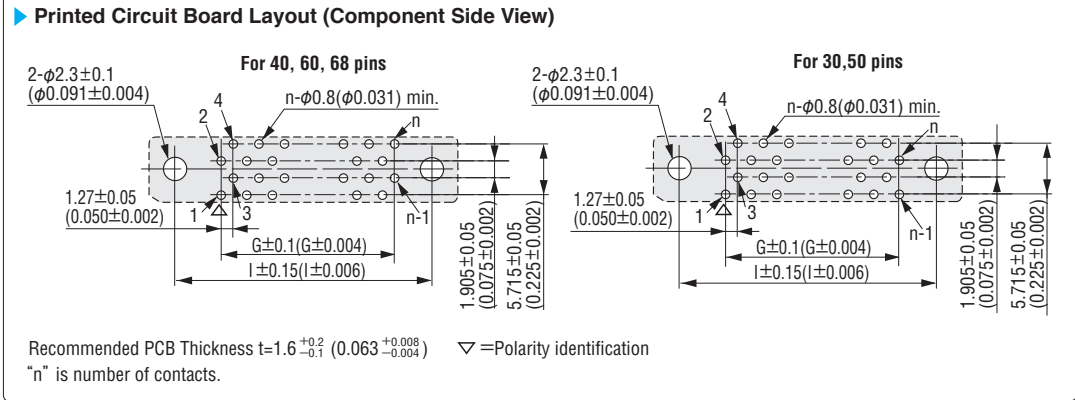
Product Table / Dimensions

| No. of contacts | Part Number | A                | B                | C                | D                | E                | Number of packaging |
|-----------------|-------------|------------------|------------------|------------------|------------------|------------------|---------------------|
| 30              | 8929E-030   | 35.78<br>(1.409) | 21.78<br>(0.857) | 17.78<br>(0.700) | 23.38<br>(0.920) | 19.78<br>(0.779) | 13                  |
| 40              | 8929E-040   | 42.13<br>(1.659) | 28.13<br>(1.107) | 24.13<br>(0.950) | 29.73<br>(1.170) | 26.13<br>(1.029) | 11                  |
| 50              | 8929E-050   | 48.48<br>(1.909) | 34.48<br>(1.357) | 30.48<br>(1.200) | 36.08<br>(1.420) | 32.48<br>(1.279) | 10                  |
| 60              | 8929E-060   | 54.83<br>(2.159) | 40.83<br>(1.607) | 36.83<br>(1.450) | 42.43<br>(1.670) | 38.83<br>(1.529) | 9                   |
| 68              | 8929E-068   | 59.91<br>(2.359) | 45.91<br>(1.807) | 41.91<br>(1.650) | 47.51<br>(1.870) | 43.91<br>(1.729) | 8                   |

| Packaging style |
|-----------------|
| Pipe            |

# 8931E-□□□-178S-F (Plug, PCB side connector, Straight , With hooks)

Unit : mm (inch)



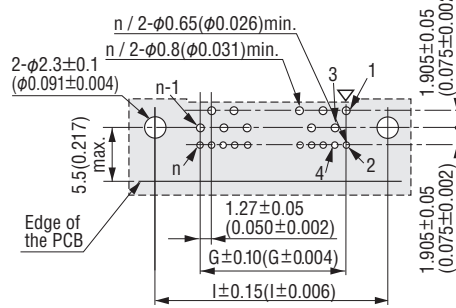
Packaging style  
Pipe

**Product Table / Dimensions**

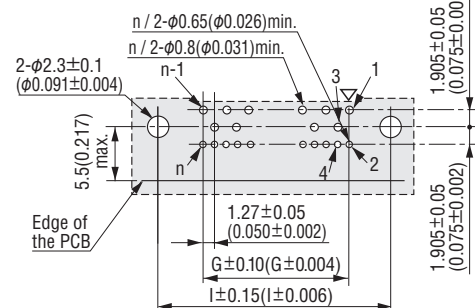
| No. of contacts | Part Number      | A                | B                | C                | D                | E                | F                | G                | H                | I                | Number of packaging |
|-----------------|------------------|------------------|------------------|------------------|------------------|------------------|------------------|------------------|------------------|------------------|---------------------|
| 30              | 8931E-030-178S-F | 31.78<br>(1.251) | 29.38<br>(1.157) | 27.58<br>(1.086) | 23.78<br>(0.936) | 22.18<br>(0.873) | 19.48<br>(0.767) | 17.78<br>(0.700) | 20.58<br>(0.810) | 26.67<br>(1.050) | 16                  |
| 40              | 8931E-040-178S-F | 38.13<br>(1.501) | 35.73<br>(1.407) | 33.93<br>(1.336) | 30.13<br>(1.186) | 28.53<br>(1.123) | 25.83<br>(1.017) | 24.13<br>(0.950) | 26.93<br>(1.060) | 33.02<br>(1.300) | 13                  |
| 50              | 8931E-050-178S-F | 44.48<br>(1.751) | 42.08<br>(1.657) | 40.28<br>(1.586) | 36.48<br>(1.436) | 34.88<br>(1.373) | 32.18<br>(1.267) | 30.48<br>(1.200) | 33.28<br>(1.310) | 39.37<br>(1.550) | 11                  |
| 60              | 8931E-060-178S-F | 50.83<br>(2.001) | 48.43<br>(1.907) | 46.63<br>(1.836) | 42.83<br>(1.686) | 41.23<br>(1.623) | 38.53<br>(1.517) | 36.83<br>(1.450) | 39.63<br>(1.560) | 45.72<br>(1.800) | 10                  |
| 68              | 8931E-068-178S-F | 55.91<br>(2.201) | 53.51<br>(2.107) | 51.71<br>(2.036) | 47.91<br>(1.886) | 46.31<br>(1.823) | 43.61<br>(1.717) | 41.91<br>(1.650) | 44.71<br>(1.760) | 50.80<br>(2.000) | 9                   |

### Printed Circuit Board Layout (Component Side View)

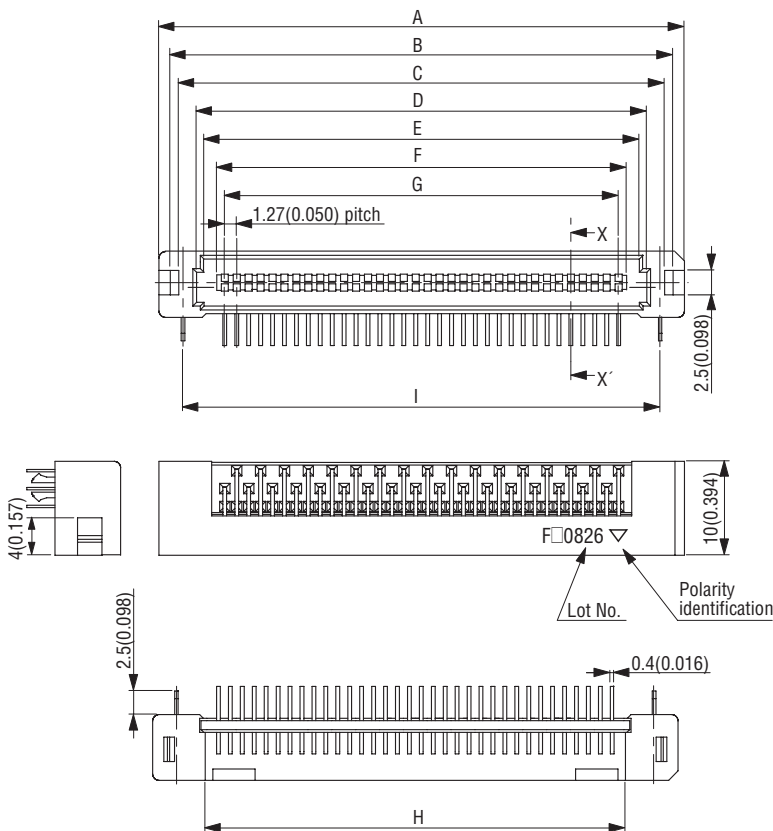
For 40, 60, 68 pins



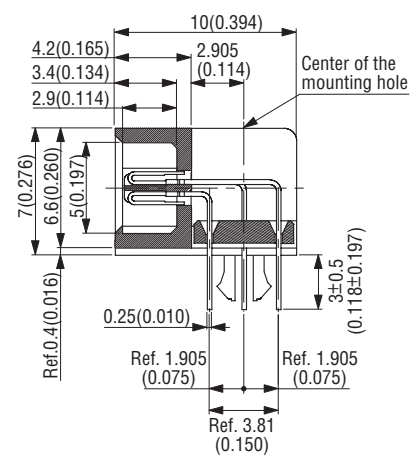
For 30, 50 pins



Recommended PCB Thickness  $t=1.6^{+0.2}_{-0.1}$  ( $0.063^{+0.008}_{-0.004}$ )  $\nabla$ =Polarity identification  
 "n" is number of contacts.



### X-X' Cross Section



Packaging style

Pipe

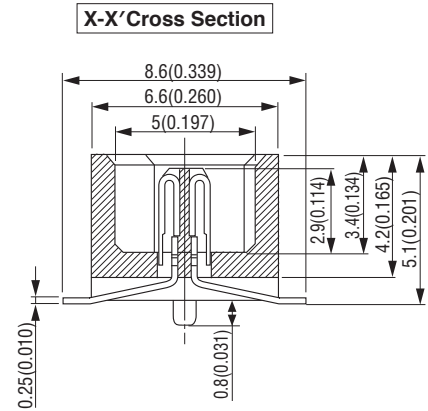
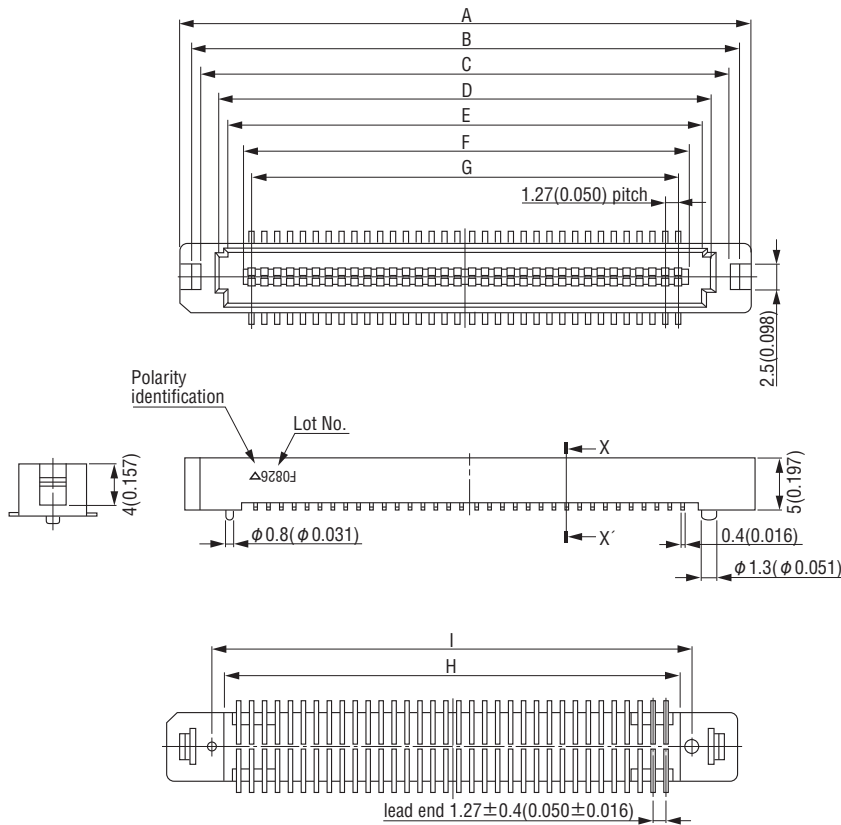
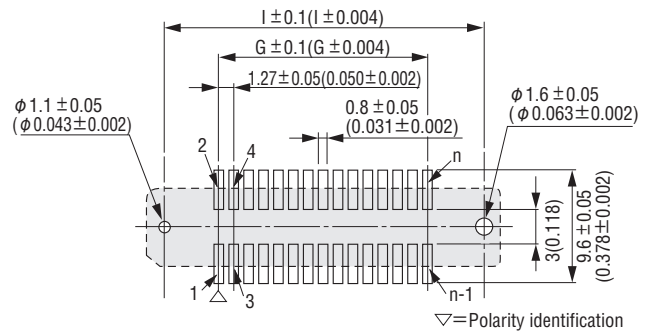
### Product Table / Dimensions

| No. of contacts | Part Number      | A                | B                | C                | D                | E                | F                | G                | H                | I                | Number of packaging |
|-----------------|------------------|------------------|------------------|------------------|------------------|------------------|------------------|------------------|------------------|------------------|---------------------|
| 30              | 8931E-030-178L-F | 31.78<br>(1.251) | 29.38<br>(1.157) | 27.58<br>(1.086) | 23.78<br>(0.936) | 22.18<br>(0.873) | 19.48<br>(0.767) | 17.78<br>(0.700) | 20.58<br>(0.810) | 26.67<br>(1.050) | 16                  |
| 40              | 8931E-040-178L-F | 38.13<br>(1.501) | 35.73<br>(1.407) | 33.93<br>(1.336) | 30.13<br>(1.186) | 28.53<br>(1.123) | 25.83<br>(1.017) | 24.13<br>(0.950) | 26.93<br>(1.060) | 33.02<br>(1.300) | 13                  |
| 50              | 8931E-050-178L-F | 44.48<br>(1.751) | 42.08<br>(1.657) | 40.28<br>(1.586) | 36.48<br>(1.436) | 34.88<br>(1.373) | 32.18<br>(1.267) | 30.48<br>(1.200) | 33.28<br>(1.310) | 39.37<br>(1.550) | 11                  |
| 60              | 8931E-060-178L-F | 50.83<br>(2.001) | 48.43<br>(1.907) | 46.63<br>(1.836) | 42.83<br>(1.686) | 41.23<br>(1.623) | 38.53<br>(1.517) | 36.83<br>(1.450) | 39.63<br>(1.560) | 45.72<br>(1.800) | 10                  |
| 68              | 8931E-068-178L-F | 55.91<br>(2.201) | 53.51<br>(2.107) | 51.71<br>(2.036) | 47.91<br>(1.886) | 46.31<br>(1.823) | 43.61<br>(1.717) | 41.91<br>(1.650) | 44.71<br>(1.760) | 50.80<br>(2.000) | 9                   |

# 8930E-□□□-178MS-F (Plug, PCB side connector, Straight, SMT)

Unit : mm(inch)

## Printed Circuit Board Layout (Component Side View)



| Packaging style |
|-----------------|
| Pipe            |

## Product Table / Dimensions

| No. of contacts | Part Number       | A                | B                | C                | D                | E                | F                | G                | H                | I                | Number of packaging |
|-----------------|-------------------|------------------|------------------|------------------|------------------|------------------|------------------|------------------|------------------|------------------|---------------------|
| 30              | 8930E-030-178MS-F | 31.78<br>(1.251) | 29.38<br>(1.157) | 27.58<br>(1.086) | 23.78<br>(0.936) | 22.18<br>(0.873) | 19.48<br>(0.767) | 17.78<br>(0.700) | 20.58<br>(0.810) | 22.86<br>(0.900) | 16                  |
| 40              | 8930E-040-178MS-F | 38.13<br>(1.501) | 35.73<br>(1.407) | 33.93<br>(1.336) | 30.13<br>(1.186) | 28.53<br>(1.123) | 25.83<br>(1.017) | 24.13<br>(0.950) | 26.93<br>(1.060) | 29.21<br>(1.150) | 13                  |
| 50              | 8930E-050-178MS-F | 44.48<br>(1.751) | 42.08<br>(1.657) | 40.28<br>(1.586) | 36.48<br>(1.436) | 34.88<br>(1.373) | 32.18<br>(1.267) | 30.48<br>(1.200) | 33.28<br>(1.310) | 35.56<br>(1.400) | 11                  |
| 60              | 8930E-060-178MS-F | 50.83<br>(2.001) | 48.43<br>(1.907) | 46.63<br>(1.836) | 42.83<br>(1.686) | 41.23<br>(1.623) | 38.53<br>(1.517) | 36.83<br>(1.450) | 39.63<br>(1.560) | 41.91<br>(1.650) | 10                  |
| 68              | 8930E-068-178MS-F | 55.91<br>(2.201) | 53.51<br>(2.107) | 51.71<br>(2.036) | 47.91<br>(1.886) | 46.31<br>(1.823) | 43.61<br>(1.717) | 41.91<br>(1.650) | 44.71<br>(1.760) | 46.99<br>(1.850) | 9                   |