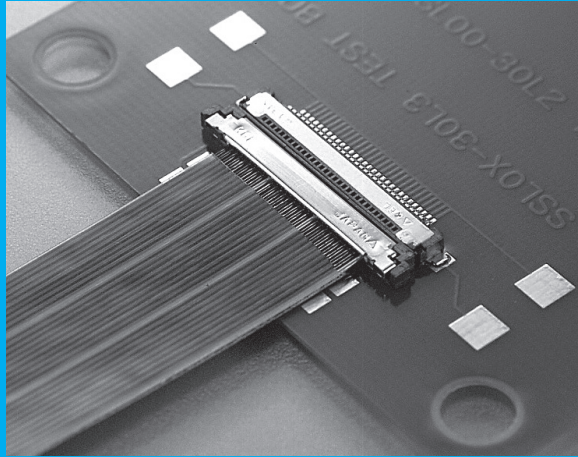


# SSL SERIES

RoHS  
Compliant

## 0.5mm PITCH CONNECTOR FOR MICRO COAXIAL CABLE



### FEATURES

- ▶ Compact connector with a low profile of 1.4 mm(0.055") and a mating width of 6.08 mm(0.239").
- ▶ For micro coaxial cable(#40 AWG).
- ▶ IDC of contacts all together is adopted for improved connection reliability and more compact connectors.
- ▶ Equipped with a metal shell, noise reduction and product strength are ensured.
- ▶ Multiple ground terminals are provided for enhanced transmission characteristics and EMS protection.
- ▶ Highly reliable design with effective mating length of 0.5mm(0.020").

### ORDER CODE

**SSL0**   -       -        

①                      ②                      ③                      ④

\*Please order in multiples of the quantity per package.

- ① **[Type]** Receptacle (PCB side connector) **SSL00** : Without positioning posts **SSL01** : With positioning posts (Right angle only)
- ② **[Number of contacts]** **10** : 10 pin **20** : 20 pin **30** : 30 pin **40** : 40 pin
- ③ **[Contact tail style]** **L3** : Right angle **S** : Straight
- ④ **[Number of packaging]** **0500** : 500pcs./1 reel **1000** : 1000pcs./1 reel **1500** : 1500pcs./1 reel (Straight only) **3000** : 3000pcs./1 reel (Right angle only)

### ORDER CODE

**SSL20** -     **S** **B**

①                      ②                      ③                      ④

\*Please order in multiples of the quantity per package.

- ① **[Type]** **SSL20** : Plug (cable side connector)
- ② **[Number of contacts]** **10** : 10 pin **20** : 20 pin **30** : 30 pin **40** : 40 pin
- ③ **[Cable exit style]** **S** : Straight
- ④ **[Applicable cable]** **B** : #40 AWG Micro coaxial cable

\* Plug (cable side connector) is composed of base and shell.

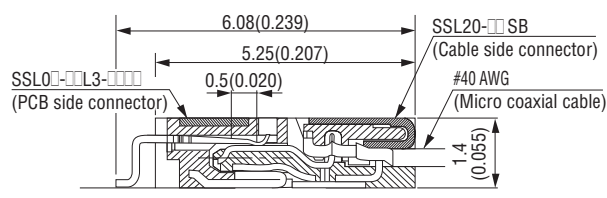
### SPECIFICATIONS

Material and plating		Electrical characteristics	
Insulator material	Glass-filled LCP(UL94V-0),Black	Rated Current	0.3A per contact
Contact material	Copper alloy	Contact resistance	100mΩ max.
Contact plating	Gold over Nickel	Dielectric withstanding voltage	200V AC for 1minute
Shell material	Copper alloy	Insulation resistance	100MΩ min.at 250V DC
Shell plating	Tin copper over Nickel	Operating temperature	-40°C to +85°C
IDC cover material	[SSL20]Glass-filled LCP (UL94V-0), Off-white	Applicable cable	#40 AWG Micro coaxial cable

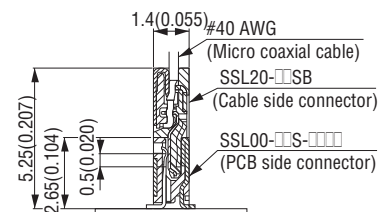
### Mating drawing

Unit : mm(inch)

#### ◆ Horizontal mating



#### ◆ Vertical mating

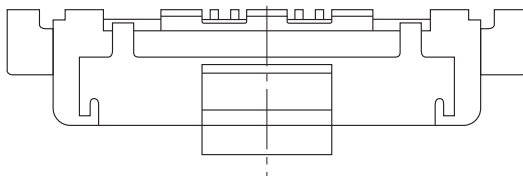
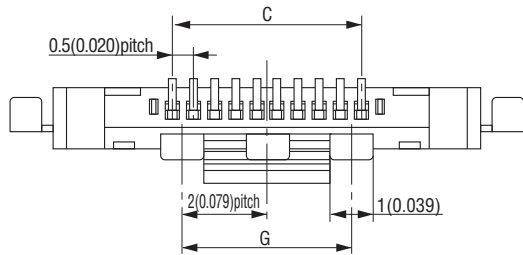
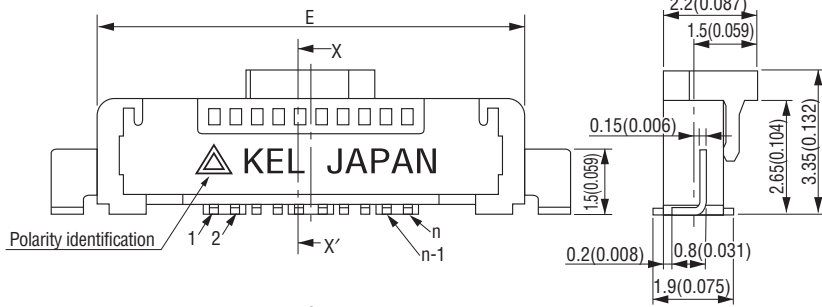
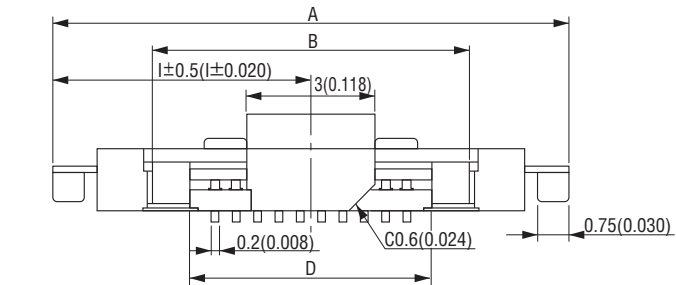
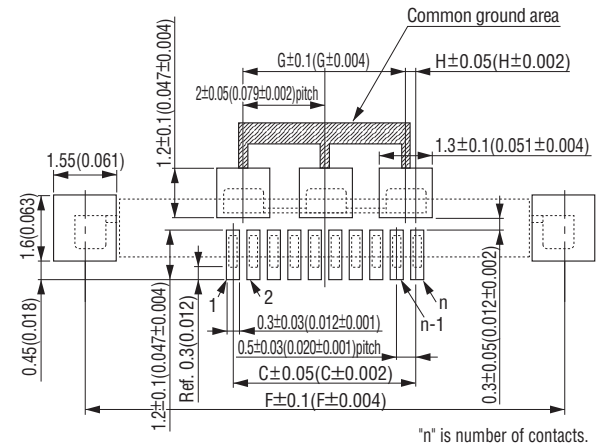




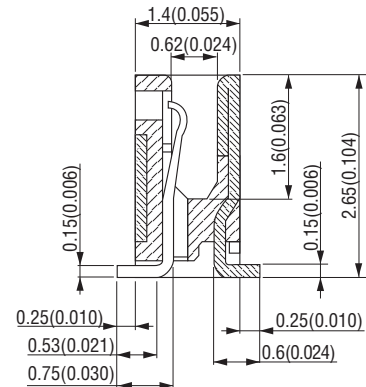
# SSL00-□□S-□□□□ (Receptacle, PCB side connector, Straight)

Unit : mm(inch)

## ▶ Printed Circuit Board layout (Component side view)



## X-X' Cross section



Packaging style

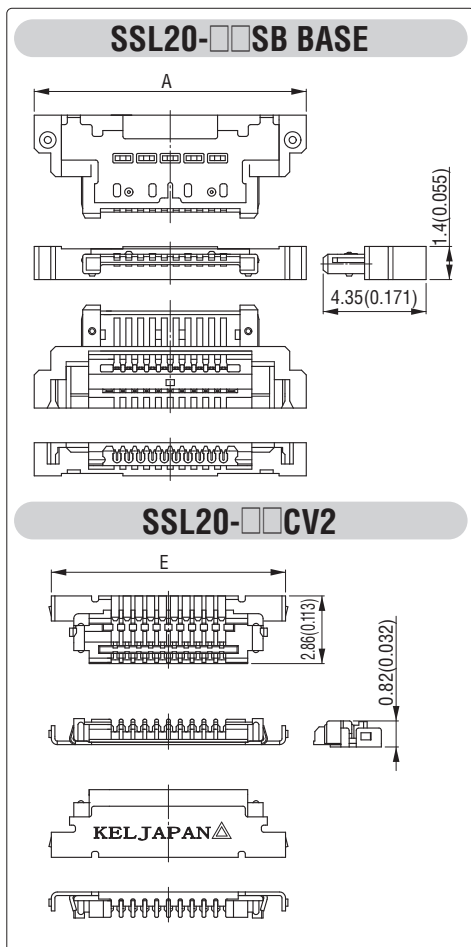
Embossed tape

## ▶ Product table

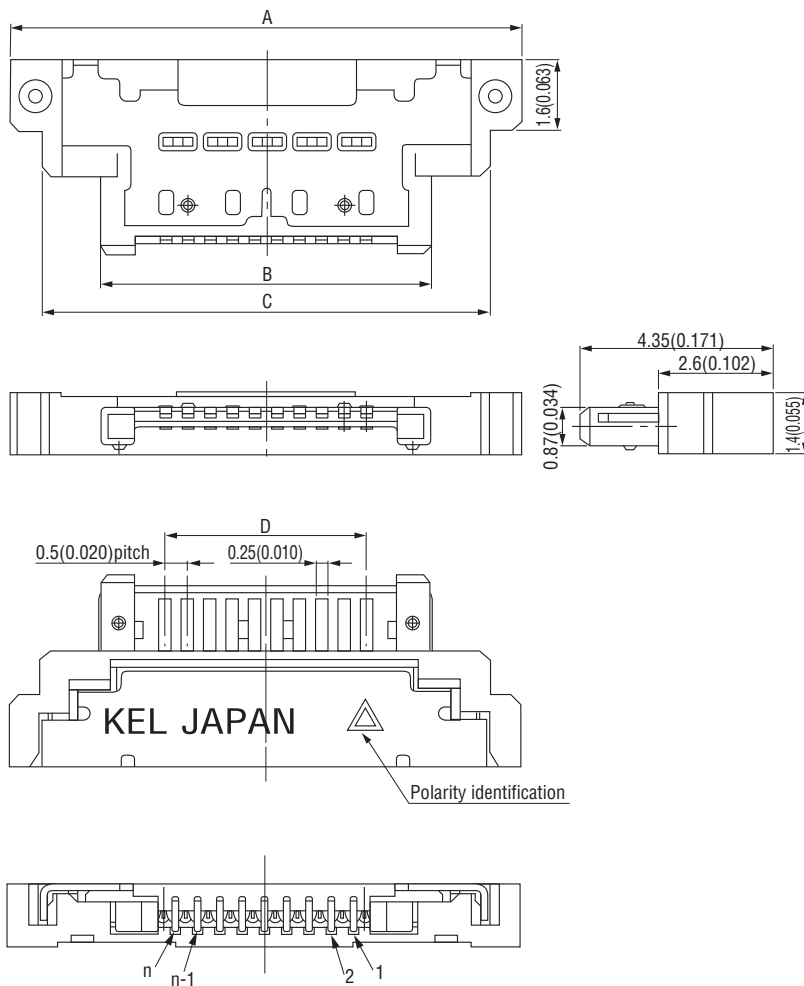
Part number	Number of packaging
SSL00-□□S-0500	500
SSL00-□□S-1000	1,000
SSL00-□□S-1500	1,500

## ▶ Product table / Dimensions

No. of contacts	Part number	A	B	C	D	E	F	G	H	I
10	SSL00-10S-□□□□	12.2 (0.480)	7.5 (0.295)	4.5 (0.177)	5.7 (0.224)	10.1 (0.398)	11.75 (0.463)	4.0 (0.157)	0.25 (0.010)	6.1 (0.240)
20	SSL00-20S-□□□□	17.2 (0.677)	12.5 (0.492)	9.5 (0.374)	10.7 (0.421)	15.1 (0.594)	16.75 (0.659)	8.0 (0.315)	0.75 (0.030)	8.6 (0.339)
30	SSL00-30S-□□□□	22.2 (0.874)	17.5 (0.689)	14.5 (0.571)	15.7 (0.618)	20.1 (0.791)	21.75 (0.856)	14.0 (0.551)	0.25 (0.010)	11.1 (0.437)
40	SSL00-40S-□□□□	27.2 (1.071)	22.5 (0.886)	19.5 (0.768)	20.7 (0.815)	25.1 (0.988)	26.75 (1.053)	18.0 (0.709)	0.75 (0.030)	13.6 (0.535)



\*SSL20-□□SB BASE and SSL20-□□CV2 are component parts of SSL20-□□SB.



"n" is number of contacts.

Packaging style
Tray

### Product table / Dimensions

No. of contacts	Part number	A	B	C	D	E	Number of packaging
10	SSL20-10SB	11.5 (0.453)	7.5 (0.295)	10.1 (0.398)	4.5 (0.177)	9.9 (0.390)	160
20	SSL20-20SB	16.5 (0.650)	12.5 (0.492)	15.1 (0.594)	9.5 (0.374)	14.9 (0.587)	120
30	SSL20-30SB	21.5 (0.846)	17.5 (0.689)	20.1 (0.791)	14.5 (0.571)	19.9 (0.783)	100
40	SSL20-40SB	26.5 (1.043)	22.5 (0.886)	25.1 (0.988)	19.5 (0.768)	24.9 (0.980)	80

## Cable assembly

### ORDER CODE

**SSL20-**    **SSB-**             **.**       **(**    **)**   

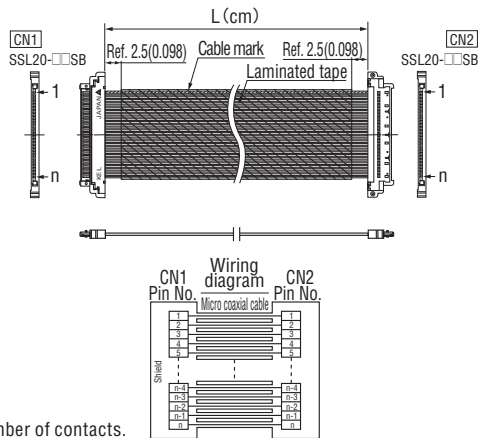
1   
 2 3 4 5   
 6   
 7 8   
 9   
 10

- |   |   |
|---|---|
| <b>① [Type]</b> <b>SSL20</b> : Plug (Cable side connector)  | <b>⑥ [Cable length(cm)]</b> <b>L</b> : Dimension (Example:013.5=13.5cm)                           |
| <b>② [Number of contacts]</b> <b>10</b> : 10 pin <b>20</b> : 20 pin <b>30</b> : 30 pin <b>40</b> : 40 pin | <b>⑦ [Wiring code]</b> <b>B</b> : Pin 1 to Pin 1 <b>C</b> : Pin 1 to Pin n                        |
| <b>③ [Cable exit style(Left side, CN1)]</b> <b>S</b> : Straight   | <b>⑧ [Laminated tape]</b> <b>No code</b> : Without tape <b>H</b> : With tape                      |
| <b>④ [Cable exit style(Right side, CN2)]</b> <b>S</b> : Straight  | <b>⑨ [Quantity]</b> <b>(B)</b> : 10 to 49pcs <b>(C)</b> : 50 to 99pcs <b>(D)</b> : 100pcs or more |
| <b>⑤ [Applicable Cable]</b> <b>B</b> : #40 AWG Micro coaxial cable  | <b>⑩ [Cable classification]</b> <b>Y</b> : Standard <b>No code</b> : Upon request                 |

\*Applicable cable length : 5 to 100cm Minimum cable length for SSL20-□□SSB-□□□□-□-□-□-□-□-□ : 7cm

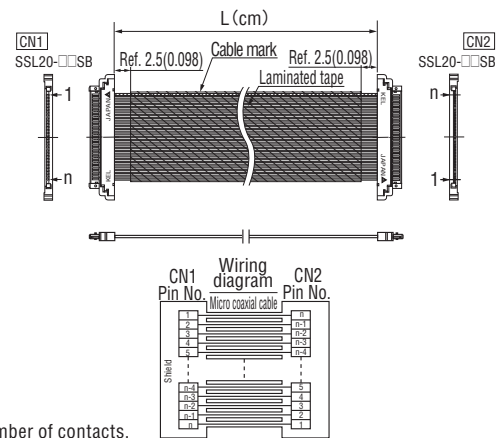
### ► Cable assembly style

Wiring code :  
Pin 1 to Pin 1



Unit : mm(inch)

Wiring code :  
Pin 1 to Pin n



\*Please contact your local KEL sales office for inquiries regarding cable length and tolerance.

\*Laminated tape is designed to be a little wider than the cable width. Please contact your local KEL sales office for further details.